

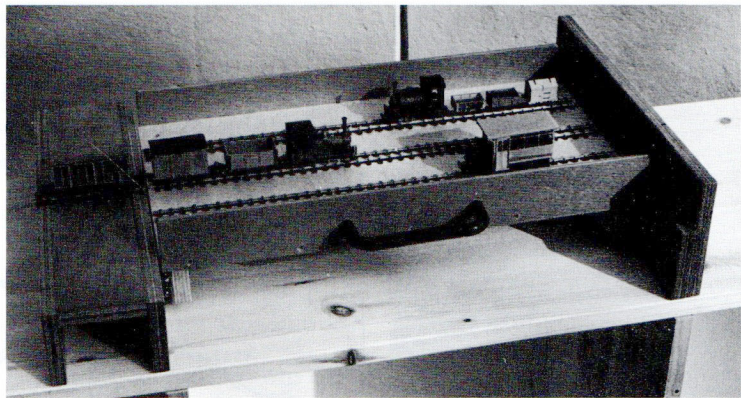
A four way traverser

by Reiner Hendriksen

Some time ago I built a three-way traverser for my Ding Dong Moors layout. This traverser had to be connected to a module of 30x80cm.

The best method is by assembling parts A, B and C (note the clearance) upside down on a flat surface. When everything is ready and running smoothly, fit part D. Nail the first track in the position as shown in the sketch. Installing two sidings (E) and a firm hand grip makes handling less risky. Locks make exact positioning easier. Current is controlled by on/off switches.

There is room for four separate tracks,



but only three were at hand when I took the photos. Of course you can choose your own dimensions.

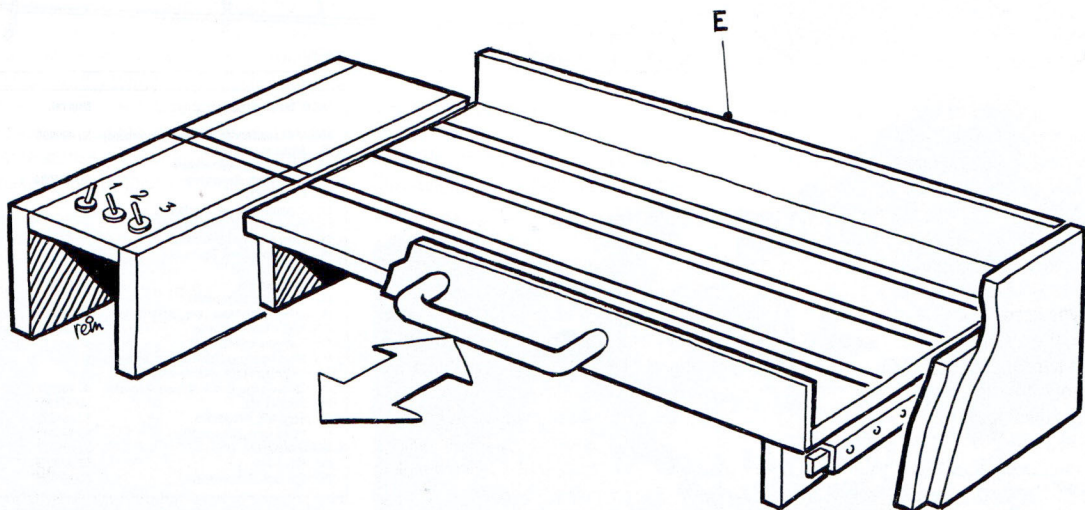
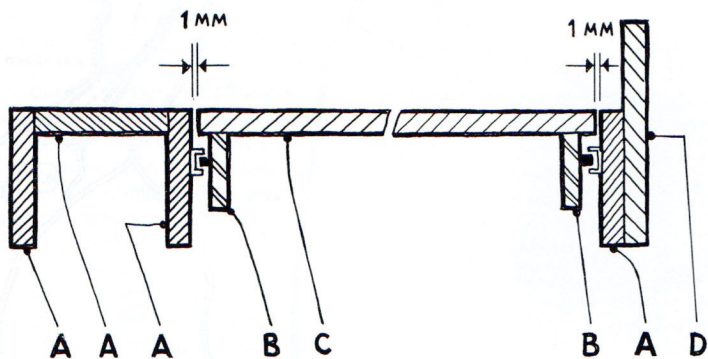
Materials needed:

— a pair of sliding rails (the ones you use for small drawers) about 20cm long.

— plywood 12mm thick: A 4 off 6x30cm; B 2 off 4x20cm; D 1 off 11x30cm.

— plywood 10mm thick: C 1 off 20x38cm.

— plywood 6mm thick (side bars): E 2pc 5x38cm.



DRAWINGS NOT TO SCALE